



YANMAR

Universal

ViO

ViO17

*Yanmar ViO Series
True Zero Tail Swing Excavator*



Operation and Comfort are Further Enhanced

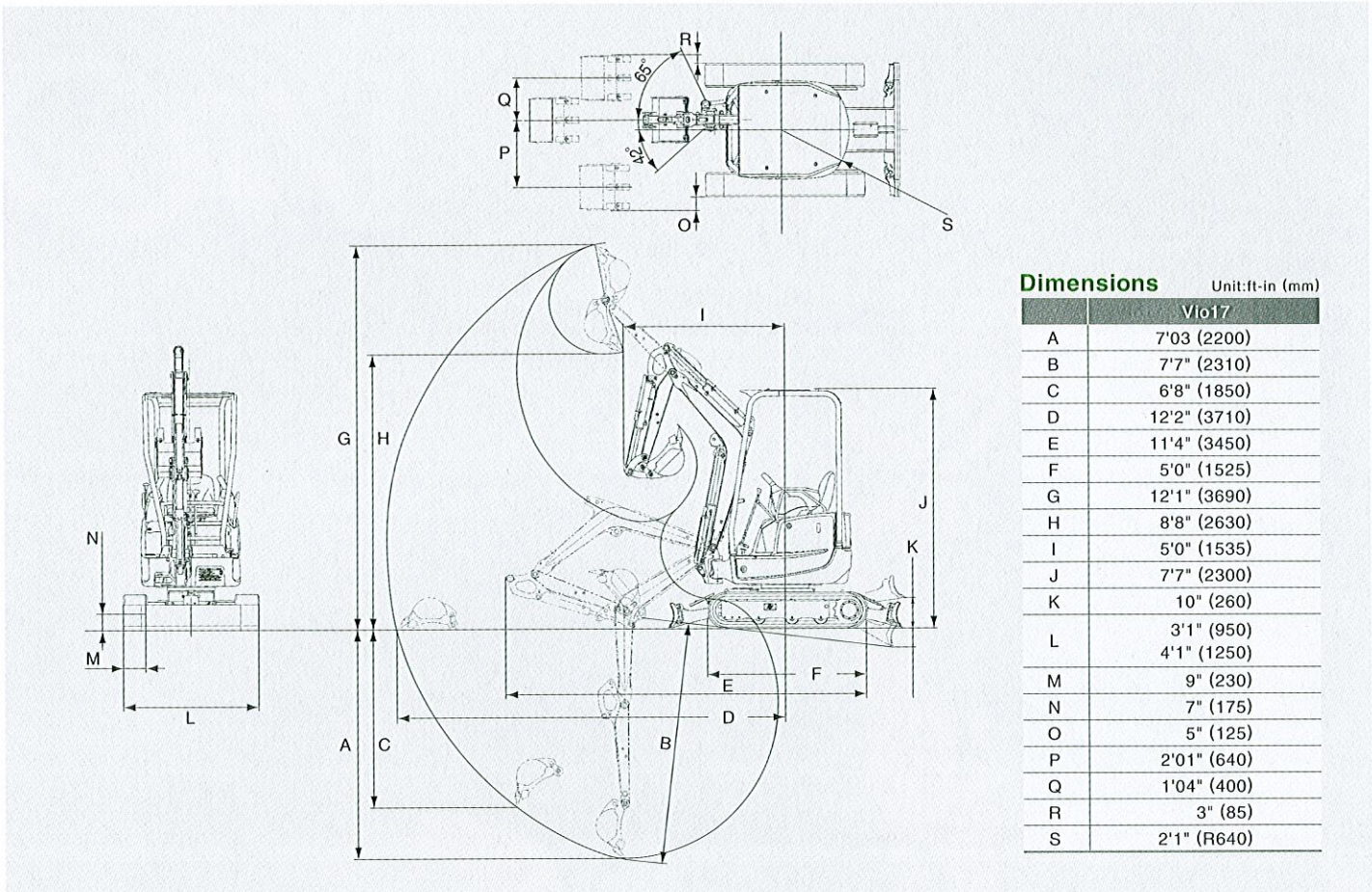
The stability of the new YANMAR Universal ViO Series, Zero Tail Swing machines, is equal to that of conventional excavators. Ease of operation and operator comfort and control have been further enhanced.

- ViO17 allows turning in smaller, tighter spaces with a higher dumping height while maintaining a safe comfortable operating space for the operator.
- The ROPS/FOPS canopy along with the High Back seat provides an extremely comfortable operation.

Greater Durability

The use of superior hydraulic hose protection, rugged steel sheet metal and other features have further enhanced reliability and durability of the machines.

- YANMAR's exclusive Bucket and Arm guards along with the Boom cylinder guards are made with spring steel to avoid damage to the cylinder rod.
- The new cast iron corner protectors and bottom side protectors along with the underside plate steel covering gives greater protection from impacts and decreases damage to sheet metal.
- The easy opening hood provides wide access for easy engine maintenance.



Dimensions Unit:ft-in (mm)

Vio17	
A	7'03 (2200)
B	7'7" (2310)
C	6'8" (1850)
D	12'2" (3710)
E	11'4" (3450)
F	5'0" (1525)
G	12'1" (3690)
H	8'8" (2630)
I	5'0" (1535)
J	7'7" (2300)
K	10" (260)
L	3'1" (950)
M	4'1" (1250)
N	9" (230)
O	7" (175)
P	5" (125)
Q	2'01" (640)
R	1'04" (400)
S	3" (85)
	2'1" (R640)

Specifications

Model			Vio17
Type			Canopy
Operating weight	Rubber track	lbs (kg)	3836 (1740)
Engine	Type	-	Water-cooled 3 cycle diesel
	Model	-	3TNV70-XBV
	Output	hp (kW) / RPM	13.5 (10.1) / 2200
Performance	Max digging force, bucket / arm	lbf (kN)	3417 (15.2) / 1918 (8.5)
	Traveling speed	MPH (km / h)	2.7/1.3 (4.3/2.1)
	Swing speed	RPM	9.5
	Boom swing angle, (L/R)	degrees	42 / 65
Ground contact pressure	Rubber track	PSI (kPa)	4.1 (28.6)
Hydraulic system	Pump capacity	GPM	4.6+4.6+3.5+2.6
		(L / min)	17.6+17.6+13.2+11.2
	Main relief set pressure	PSI (MPa)	2987 (20.6)
Undercarriage	Track type	-	Rubber
Blade dimensions	Width x height	ft-in (mm)	4'2"/3'1"x9" (1280/950x235)
Fuel tank capacity		Gals (L)	5.3 (20)

Hydraulic P.T.O

Model		Vio17	
Specifications	Output	PSI (Mpa)	GPM (L / min)
			2200RPM
Combined flow, double actions		2417 (16671)	8.1 (30.8) 4.6 (17.5)

Standard Equipment

- Blade
- Boom swing function
- Rubber tracks
- 2way control pattern change
- Auxiliary valve and piping (arm end)
- Cylinder cover (boom, arm, bucket, blade)
- ROPS / FOPS canopy
- Joystick pilot controls
- Arm rests (adjustable)
- High Back seat
- Seat belt
- Travel levers and pedals
- Traveling alarm
- Built-in type boom light
- Variable tracks
- Operation manual

(Please note that the standard equipment may vary from this list. Consult your Yanmar dealer for confirmation)

Note: All information presented in this Brochure is subject to change without notice.

YANMAR AMERICA CORP.

CONSTRUCTION EQUIPMENT DEPT.
101 International Parkway, Adairsville, GA 30103, U.S.A.
TEL: 770-877-7570 FAX: 770-877-7572
<http://www.yanmar.com>